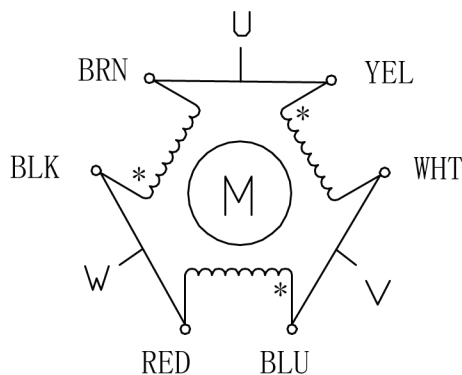


573S15 3-PHASE HYBRID STEPPING MOTOR

specifications:

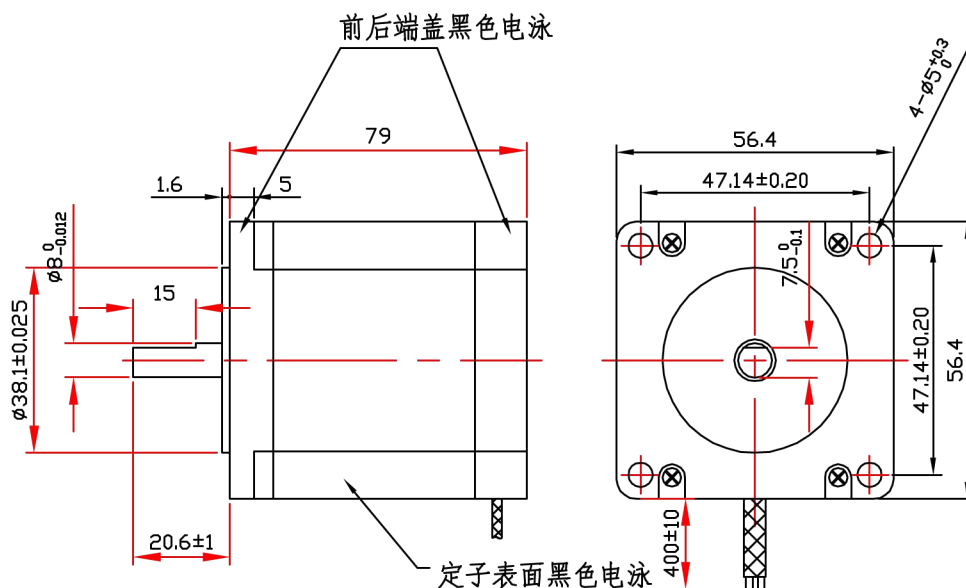
MODEL	PHASE	STEP ANGLE	RATED VOLTAGE	LINE CURRENT	RESISTANCE /PHASE	INDUCTANCE /PHASE	HOLDING TORQUE	DETENT TORQUE	ROTOR INERTIA	WEIGHT
		DEG/STEP	V	A	ohms	mH	N.m	N.cm	g.cm ²	Kg
	3	1.2	4.47	5.2	0.86	2	1.5	6.8Max	480	1.1

Wiring Diagram:



UL1332 AWG22# LENGTH: 400mm

Dimension:



C	100715gy	改为骨架绕线								
B	080506gy	新开模定子冲片								
A	080131L2	表面处理由黑塑到电泳	LN	JOHN	2008.01.31	DRAWN	DATE	TITLE		
REV	ECN NO.	DESCRIPTION	DRN	APP'D	DATE	SPECIFICATIONS				
UNLESS OTHERWISE SPECIFIED TOLERANCES:						CHECK		USED ON		
DECIMALS: .X ±0.5						APP'D		573S15		
ANGULAR: .XX ±0.25								DWG NO.	REV	
.XXX ±0.1									C	
THIRD ANGLE PROJECTION						SCALE		深圳市雷赛智能控制股份有限公司		
DRAWING						SHEET	OF	www.leadtronker.com		