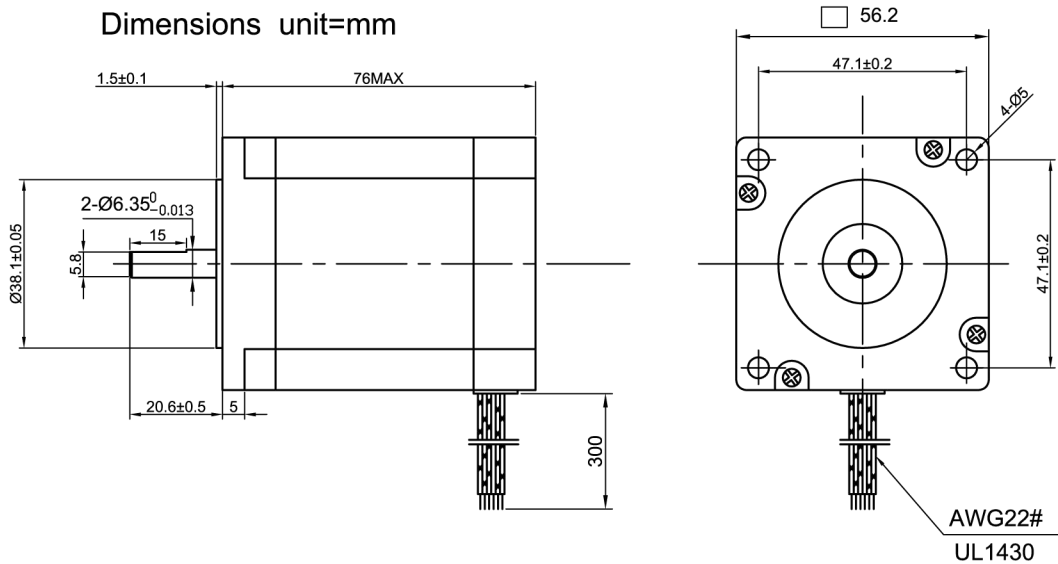


57HS13

Dimensions unit=mm



	Holding Torque (2 phases on) N.m Min	Rated Current/Phase (Amps DC)	Phase Resistance (ohms) ±10%	Phase Inductance (mH) ±20% Typical
Bipolar(Parallel)	2.0	4.0	0.5	2.1
Bipolar(Series)	2.0	2.0	2.0	9.6
Unipoar	1.4	2.8	1.0	2.1

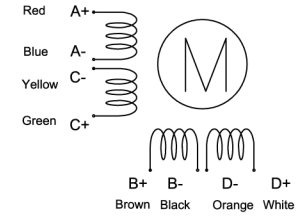
**Common ratings:**

Step angle	1.8°
Position accuracy	1.8°±0.09°
Number of phase	4
Temp rise(Max.)	80°C
Dielectric strength	500VDC
Insulation resistance	100MOhm(500VDC)
Radial play	Max.0.025mm(Load 450g)
Axial play	Max.0.075mm(Load 920g)
Insulation class	B

**Specification:**

Current/Phase	
DC Resistance	
Inductance/phase	
Voltage	
Holding torque	
Inertia	480 g.cm <sup>2</sup>
Weight	1.1kg

**Motor Connections**



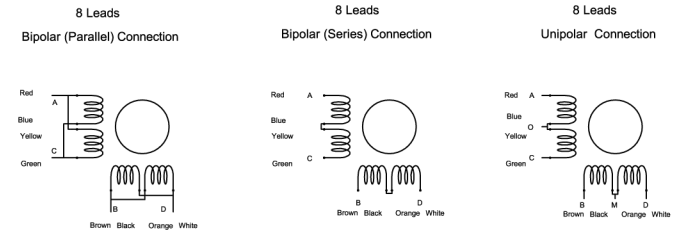
**Drive Sequence Model**

**Bipolar Full Step Unipolar Full Step**

	A	C	B	D	
1	+	+	-	-	↑ CCW
2	-	+	+	-	
3	-	-	+	+	
4	+	-	-	+	
1	+	+	-	-	

	A	C	B	D	O	M	
1	-	-			+	+	↑ CCW
2			-	-	+	+	
3			-	-	+	+	
4	-				+	+	
1	-	-			+	+	



标记	处数	分区	更改文件号	签名	年月日	阶段标记	重量	比例
设计			标准化					1:1
审核								
工艺			批准					

57HS13平台

深圳市雷赛智能控制股份有限公司