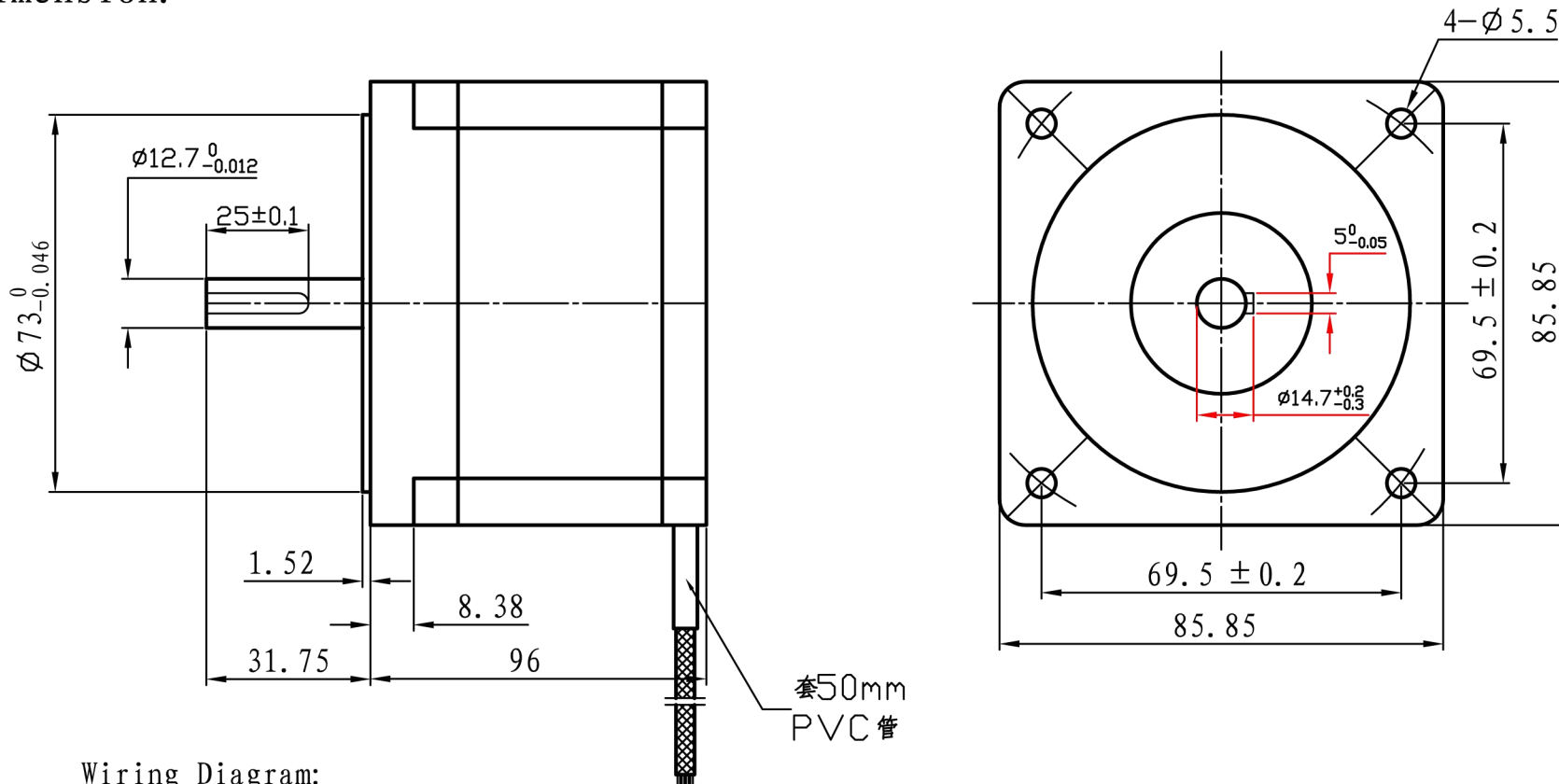
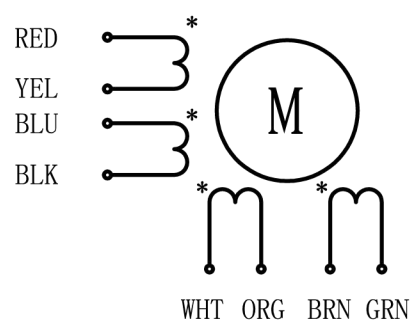


Dimension:



套50mm PVC管

Wiring Diagram:



引出线从电机引出时套50mmPVC管
 红黄蓝黑白橙棕绿
 1430-AWG20#长500mm

Specifications:

PHASE	STEP ANGLE	CONNECTION STYLE	CURRENT	RESISTANCE	INDUCTANCE	HOLDING TORQUE	ROTOR INERTIA	WEIGHT
	DEG/STEP		A	ohms	mH	N. m	gcm ²	Kg
4	1.8	parallel	6.1	0.35	3.3	7.0	1400	2.3
		series	3.05	1.4	13.2			
		unipolar	4.3	0.7	3.3	4.9		

A	08092501	Han 平台改为5*5*25的键	DESIGN	DATE	P/N.
REV	ECN NO.	DESCRIPTION	DRN	APP'D	DATE
UNLESS OTHERWISE SPECIFIED TOLERANCES:			MATERIAL		
DECIMALS: .x ±0.5		ANGULAR: ±0°30'	CHECK		TITLE SPECIFICATIONS
.xx ±0.25			APPD		USED ON 86HS65
.xxx ±0.1					DWG NO.
UNIT: mm			THIRD ANGLE PROJECTION	SCALE	REV
DO NOT SCALE DRAWING					深圳市雷赛智能控制股份有限公司
			SHEET	OF	